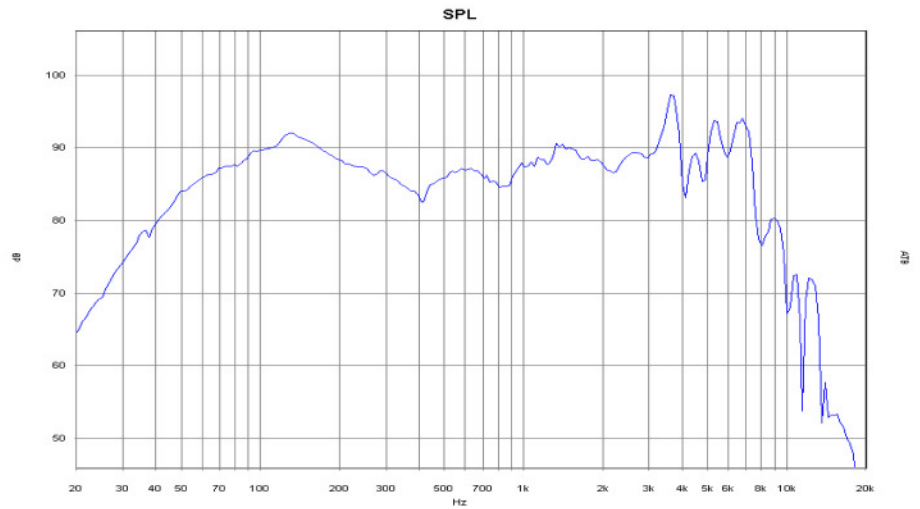


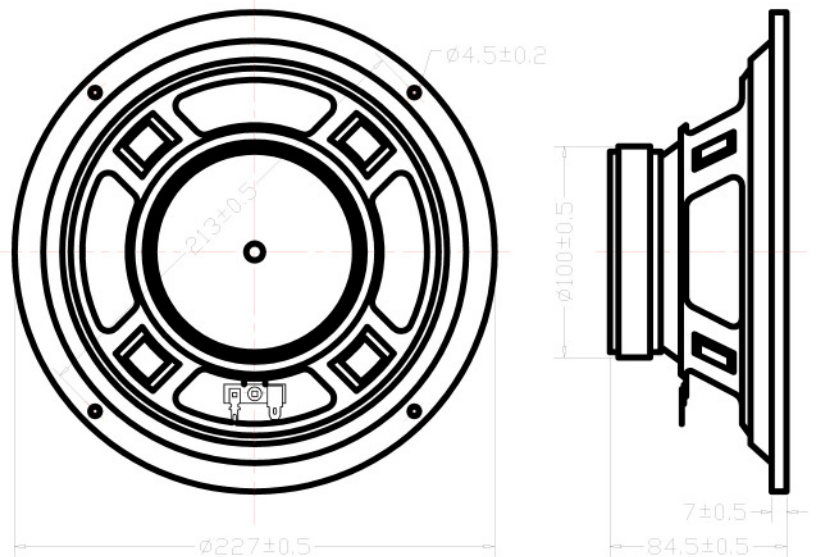
# Hifi woofer Westra KW – 200 - 1398



Notes:  
Hifi woofer, treated paper cone, inverse dustcap, rubber edge



|               |                     |
|---------------|---------------------|
| impedance:    | 8 Ω                 |
| nom. power:   | 60 watts            |
| SPL 1W/1m:    | 87 dB               |
| fs:           | 33 Hz               |
| Re:           | 6.8 Ω               |
| Le:           | 0.5 mH              |
| Qms:          | 2.94                |
| Qes:          | 1.03                |
| Qts:          | 0.76                |
| VAS :         | 56.5l               |
| Mms :         | 27 g                |
| Rms :         | --- kg/s            |
| Cms:          | --- mm/N            |
| B*I:          | 5.7 Tm              |
| Sd:           | 214 cm <sup>2</sup> |
| Xmax:         | 9 mm                |
| weight:       | 1.2 kg              |
| magnet:       | 13 oz               |
| voice coil Ø: | 25 mm               |



TSP im Rahmen der Big-Eight Entwicklung ermittelt