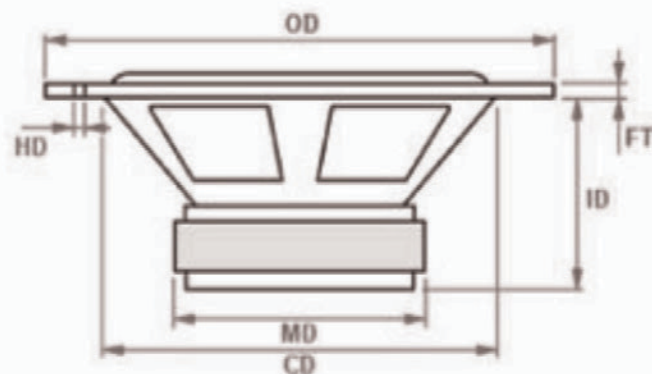


Nominal impedance [ohm]	8
Voice coil resistance [ohm]	5.7
Nominal power [W]	80
Short term max power [W]	-
Long term max power [W]	-
Operating power [W]	4
Sensitivity [dB]	90
Frequency range [Hz]	25-2000
Free air resonance [Hz]	28
Voice coil diameter [mm]	40
Voice coil height [mm]	14
Air gap height [mm]	6
Voice coil inductance [mH]	2.2
Eff. diaphragm Area [cm <sup>2</sup> ]	346
Moving mass [g]	42
Magnet weight [g]/[oz]	698/24.6
Force factor [Bl]	11.0
VAS [l]	156
Qms	3.28
Qes	0.29
Qts	0.27



OD: 261 mm	CD: 229 mm
FT: 4.5 mm	ID: 84 mm
MD: 113 mm	HD: 4xφ5@φ252.5

