

Mid-woofer

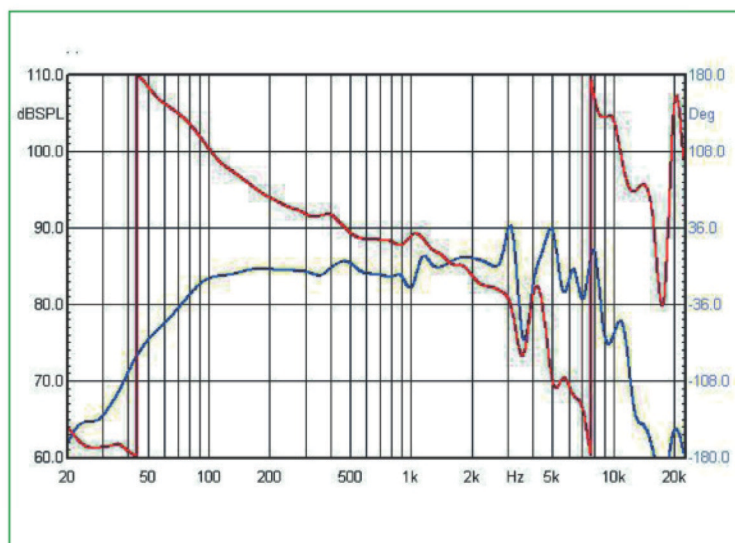
W176-8

Features

- 176 mm 8 Ω loudspeaker
- great audio fidelity and superior price
- stamped steel frame with profile lip
- designed for front mounting or countersinking
- coated paper cone
- smooth frequency response and linear roll-off
- simplify filter design



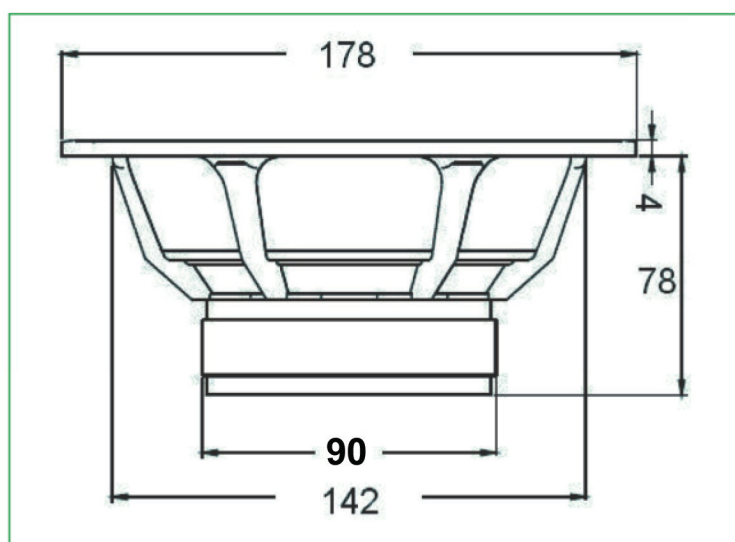
Frequency response (0° & 30°), Impedance curve



Technical specifications

Frequency range	Hz
Nominal impedance	8 Ω
Music (W)	200
Nominal (W)	80
Cone	Paper
Surround material	Rubber
Basket material	Steel
Magnet material	Ferrite
Outside diameter	–
Build in hole diameter	–
Build in depth	–
SPL (1W/1M)	89

Mechanical drawing



Thiele and Small parameters

F_s = 44.87 Hz
R_e = 6.30 ohms[dc]
L_e = 265.74 uH
L₂ = 939.92 uH
R₂ = 22.27 ohms
Q_t = 0.31
Q_{es} = 0.36
Q_{ms} = 2.43
M_{ms} = 16.20 grams
R_{ms} = 1.881824 kg/s
C_{ms} = 0.000777 m/N
V_{as} = 19.22 liters
S_d = 132.73 cm²
BI = 8.978054 Tm
ETA = 0.47 %
L_p(2.83V/1m) = 89.84 dB